

SPS 20000

PALFINGER

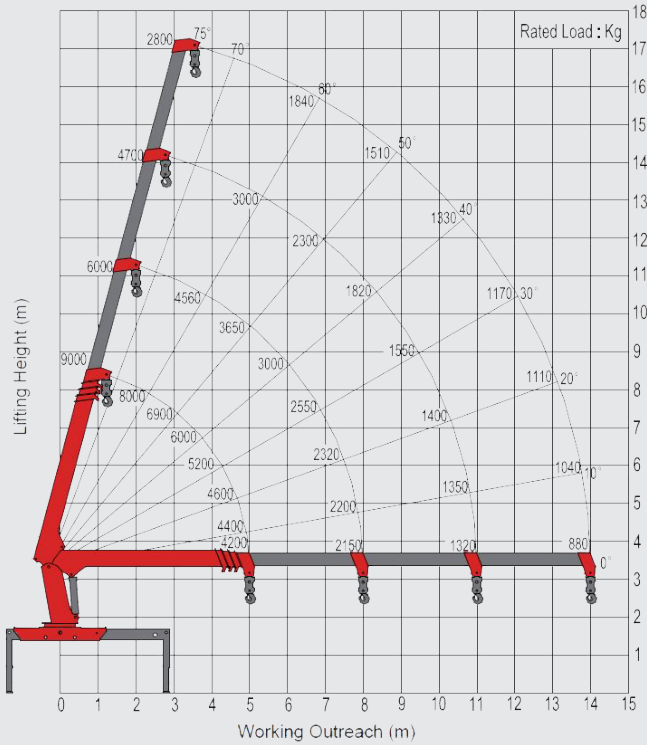
LIFETIME EXCELLENCE

PALFINGER ASIA PACIFIC STIFF BOOM CRANES

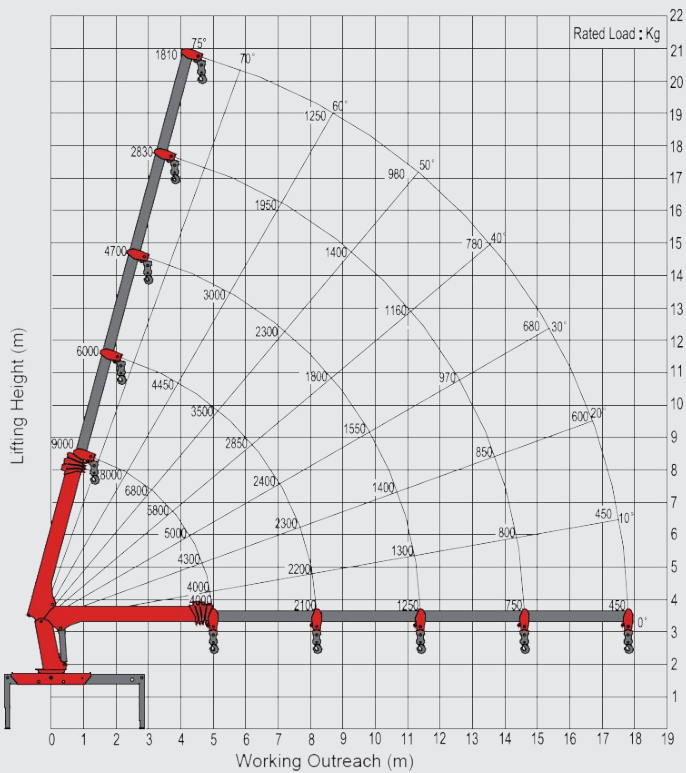


SPS 20000

B (3 BOOMS)



C (4 BOOMS)



LIFTING CAPACITY

SPS 20000 (B)

Working radius	Boom length			
	5.3 m	8.3 m	11.3 m	14.3 m
2 m	9000			
2.5 m	8000	6100		
3	7100	5850	5205	
3.5 m	6200	5225	4800	3500
4 m	5400	4565	4260	3400
4.5 m	4700	4050	3730	3100
5 m		3650	3350	2800
5.5 m		3300	3000	2550
6 m		3000	2750	2320
6.5 m		2750	2530	2130
7 m		2550	2310	1980
7.5 m		2350	2150	1840
8 m			1980	1740
8.5 m			1820	1660
9 m			1700	1580
9.5 m			1580	1510
10 m			1480	1450
10.5 m			1400	1380
11 m				1330
11.5 m				1270
12 m				1220
12.5 m				1170
13 m				1110
13.5 m				1040
14 m				880
Recommended Rope lines	4	4	4	2

LIFTING CAPACITY

SPS 20000 (C)					
Working radius	Boom length				
	5.3 m	8.5 m	11.7 m	14.9 m	18.1 m
2 m	9000				
2.5 m	8000	6100			
3 m	7000	5700	5205		
3.5 m	6000	5100	4800	3500	
4 m	5200	4450	4260	3400	
4.5 m	4500	3950	3730	3100	2550
5 m		3550	3350	2800	2310
5.5 m		3200	3000	2550	2110
6 m		2900	2750	2320	1950
6.5 m		2690	2530	2130	1810
7 m		2480	2310	1980	1680
7.5 m		2300	2150	1820	1570
8 m		2100	1980	1680	1480
8.5 m			1820	1580	1390
9 m			1720	1500	1310
9.5 m			1600	1400	1250
10 m			1500	1300	1180
10.5 m			1420	1220	1120
11 m			1320	1160	1070
11.5 m				1100	1020
12 m				1040	980
12.5 m				970	930
13 m				900	890
13.5 m				850	860
14 m				800	820
14.5 m				750	780
15 m					750
15.5 m					710
16 m					680
16.5 m					640
17 m					600
17.7 m					450
Recommended Rope lines	4	4	4	2	2



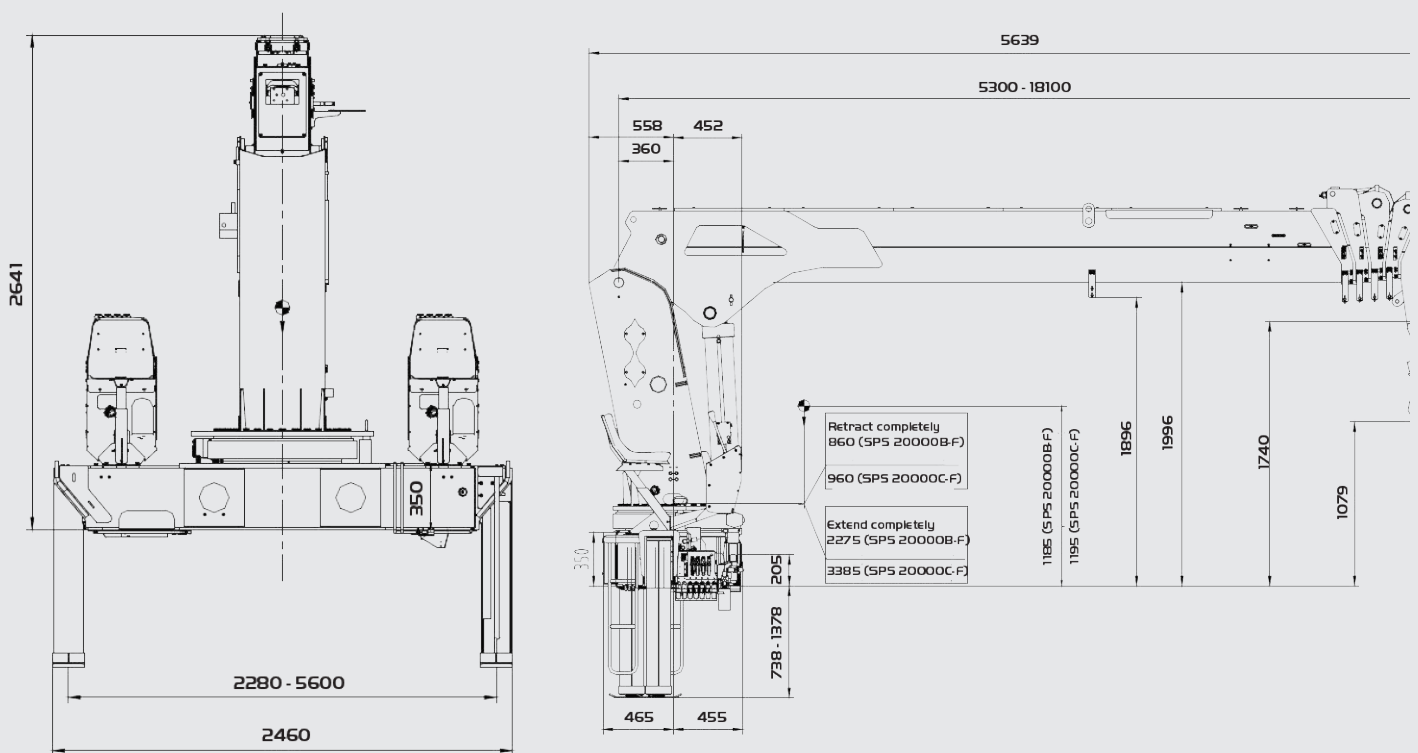
- Longer boom variant for wider working area
- Strong lifting performance
- Proportional control valve allows for smooth controllability and high operating efficiency
- Higher transport capacity due to the lighter, optimized crane structure
- Manufactured with European quality processes to ensure safety and reliability
- Suitable for installation on 3-axles trucks
- High Density (HD) Paint system provides better resale value retention and attractive aesthetics.

TECHNICAL SPECIFICATIONS

Model		SPS 20000 B-F	SPS 20000 C-F
Max. lifting moment	mt	20.0	20.0
Max. lifting capacity	kg/m	8000/2.5	8000/2.5
Number of booms	sections	4	5
Max. outreach	m	14.0	17.7
Max. lifting angle	°	75	75
Slewing angle	°	Endless	Endless
Stabilizer spread (std.)	mm	5600	5600
Operating pressure	MPa	25/28	25/28
Recommended pump capacity	L/min	70	70
Oil tank capacity	L	200	200
Crane Weight	kg	3820	4110



DIMENSIONS



PALFINGER ASIA PACIFIC PTE LTD

3 INTERNATIONAL BUSINESS PARK | NORDIC EUROPEAN CENTRE
 # 05-25/26 | 609927 | SINGAPORE
 T +65 6591 9191 | F +65 6591 7737
 Enquiries: asia@palfinger.com
 Website: www.palfinger.com

