

SPS 30000

PALFINGER

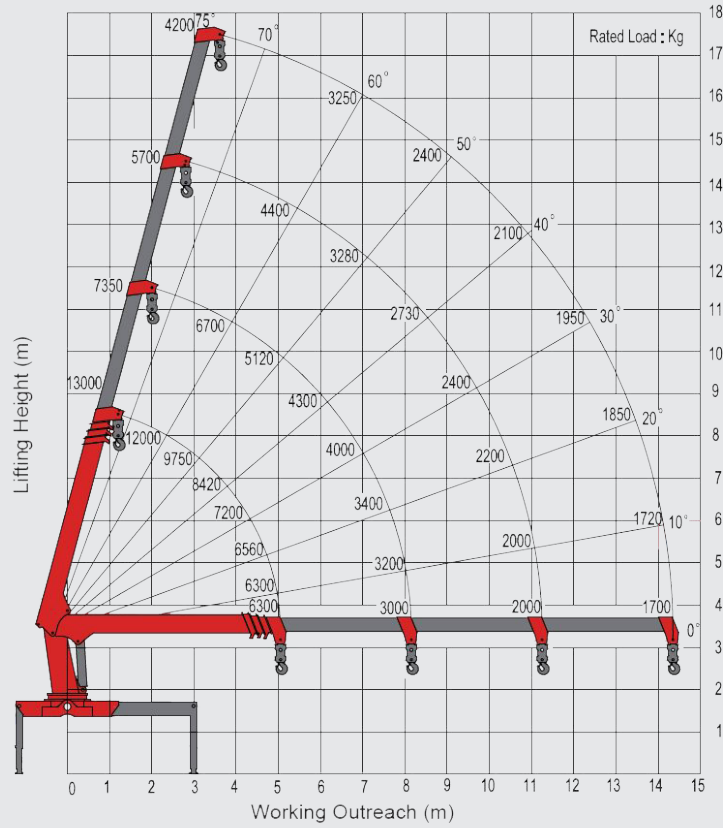
LIFETIME EXCELLENCE

**PALFINGER ASIA PACIFIC
STIFF BOOM CRANES**

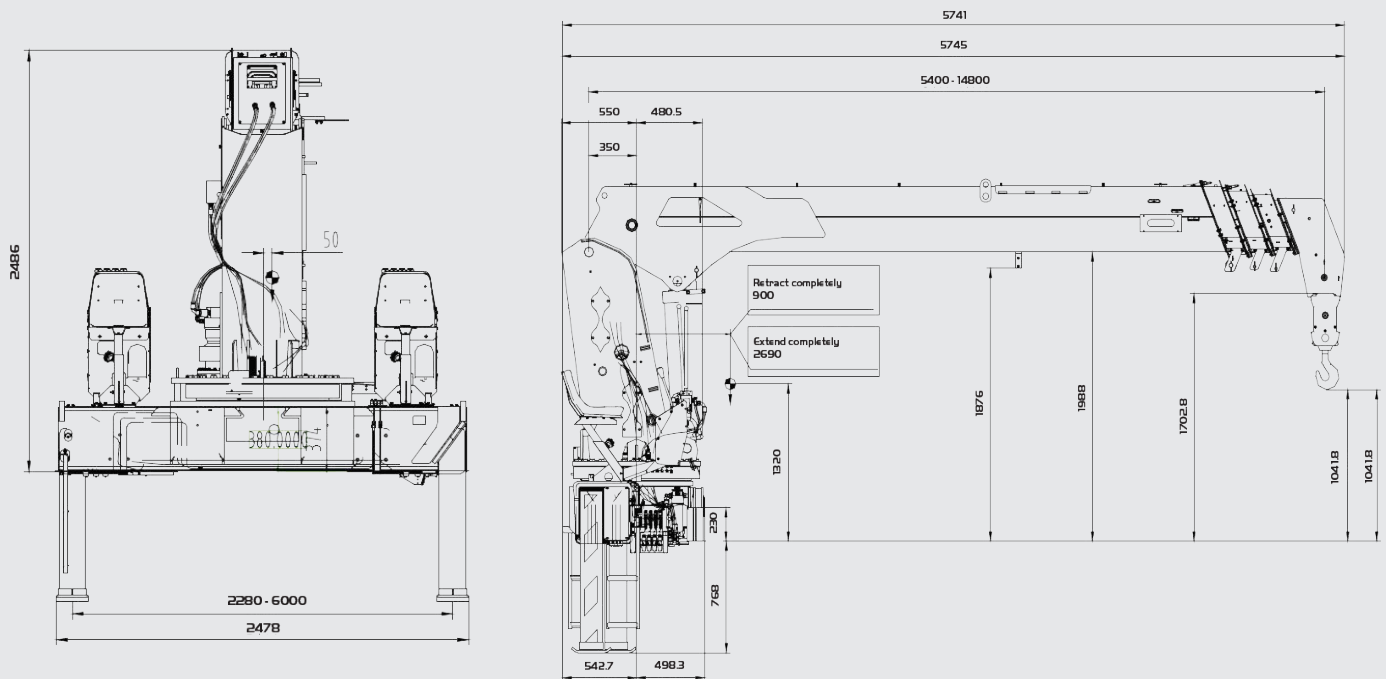


SPS 30000

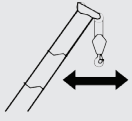

B (4 BOOMS)



DIMENSIONS



LIFTING CAPACITY

 Working radius	 Boom length			
	5.4m	8.5m	11.7m	14.8m
2 m	13000			
2.5 m	12000	7400		
3 m	10400	7300	5900	
3.5 m	9000	7200	5800	
4 m	8000	6700	5700	4400
4.5 m	7200	5900	5120	4300
5 m	6300	5320	4700	4200
5.5 m		4900	4400	3850
6 m		4500	4120	3720
6.5 m		4300	3780	3500
7 m *		4100	3500	3250
7.5 m		3800	3280	3000
8 m		3200	3000	2800
8.5 m		3000	2900	2650
9 m			2730	2550
9.5 m			2550	2400
10 m			2400	2300
10.5 m			2250	2200
11 m			2200	2100
11.5 m				2050
12 m				2000
12.5 m				1950
13 m				1900
13.5 m				1850
14 m				1800
14.5 m				1700
Recommended Rope lines	6	4	4	4

- Longer boom variant for wider working areas and lifting height
- Strong lifting performance
- Proportional control valve for smooth contraility and high operating efficiency
- Higher transport capacity due to lighter crane structure
- Manufactured with European quality processes to ensure safety and reliability
- Suitable for installation on 4 axles trucks
- High Density (HD) Paint system provides better resale value retention and attractive aesthetics.



TECHNICAL SPECIFICATIONS

Model	SPS 30000 B-F	
Max. lifting moment	mt	30.0
Max. lifting capacity	kg/m	12000/2.5
Number of booms	sections	4
Max. hydraulic outreach	m	14.5
Max. lifting angle	°	75
Slewing angle	°	Endless
Stabilizer spread (std.)	mm	6000
Operating pressure	MPa	26/28
Recommended pump capacity	L/min	70
Oil tank capacity	L	200
Crane Weight	kg	4200



LIFETIME EXCELLENCE

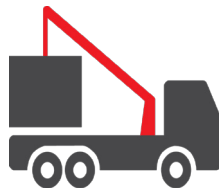
PALFINGER LOADER CRANES ARE CONVINCING DUE TO THEIR **SUPERIOR LIFE-CYCLE PERFORMANCE**. THEY ARE THE MOST ECONOMICAL AND ALSO THE MOST RELIABLE OVER THE ENTIRE PRODUCT LIFE. FROM SOLUTION FINDING TO RE-SALE.

BETTER
SOLUTIONS

BETTER
EFFICIENCY

BETTER
ERGONOMICS

HIGHER VALUE
RETENTION



HIGHER
AVAILABILITY

HIGHER
SERVICEABILITY

BETTER
ECOLOGY

MORE
RELIABILITY

For further information please visit: www.palfinger.com/thebrand

PALFINGER ASIA PACIFIC PTE LTD

3 INTERNATIONAL BUSINESS PARK | NORDIC EUROPEAN CENTRE
05-25/26 | 609927 | SINGAPORE
T +65 6591 9191 | F +65 6591 7737
Enquiries: asia@palfinger.com
Website: www.palfinger.com

